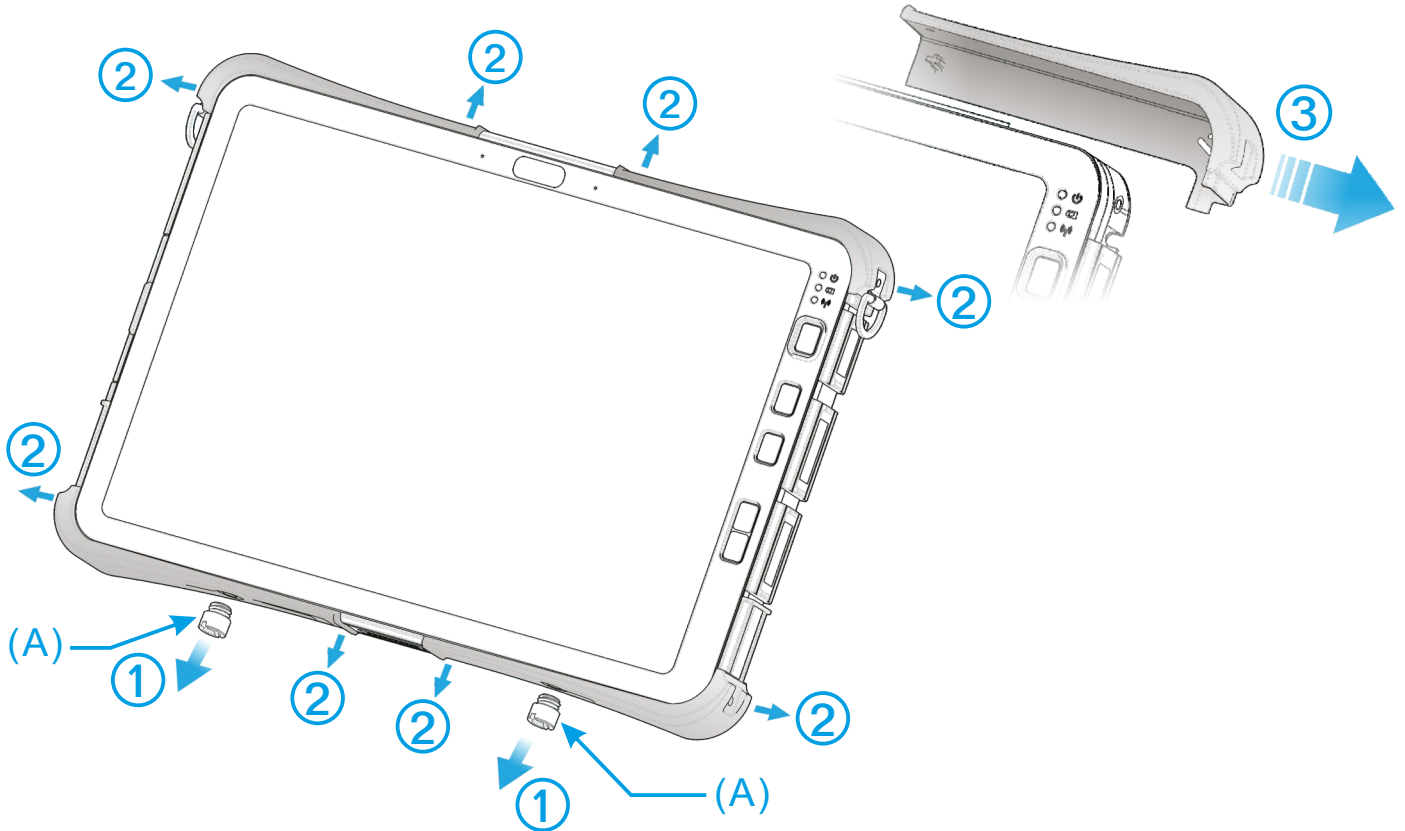


# Rotate Strap Instructions

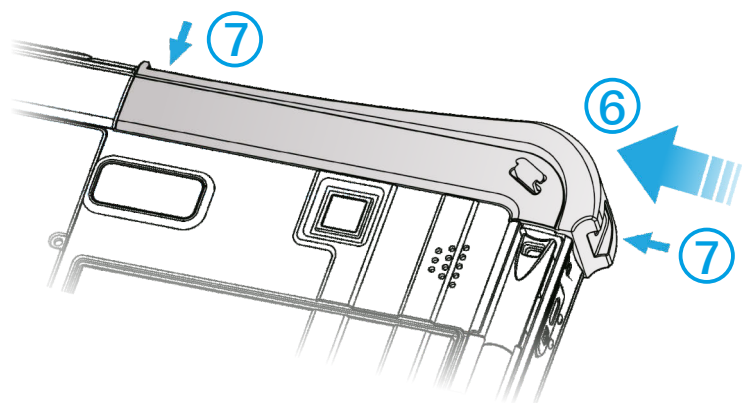
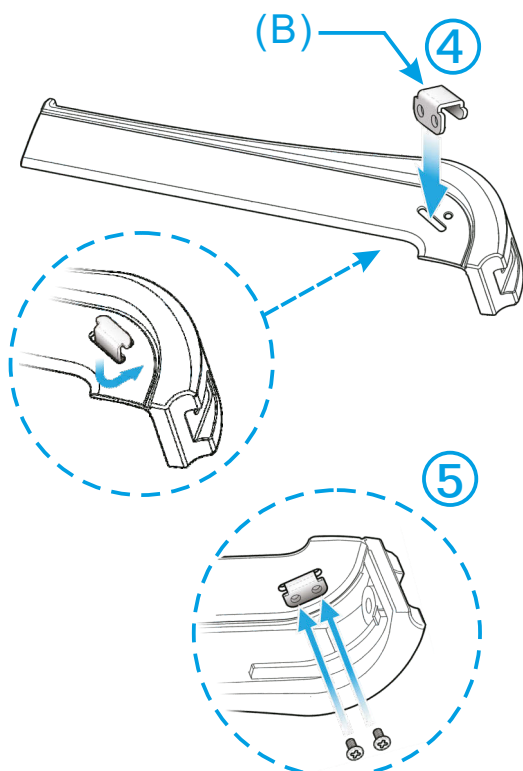
## Pokini TAB K11 series

1. Remove the 2 thread bushings at the bottom of the machine (A).
2. Remove the screws of the corner protectors; there are 8 screws in total.
3. Remove the 4 corner bumpers by moving them outwards.



4. Install the corner bracket (B).

5. Screw on the 2 small screws to fix the corner bracket in place; the corner brackets are installed at 4 places.



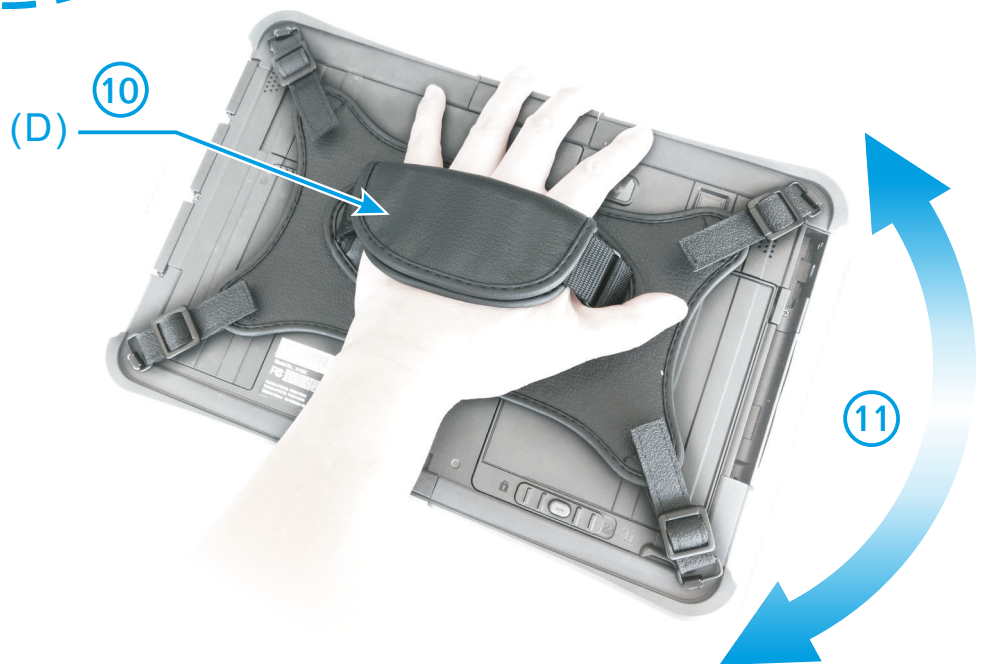
6. Install the 4 corner bumpers.

7. Screw on all the corner bumper screws and thread bushings (A).

8. Buckle the steel loop (C) of rotate strap to the corner bracket, there are 4 places to buckle.



9. Adjust and tighten the strap.



10. Insert your hand to (D) part of the rotate strap.

11. Fix the rotate strap firmly so that the tablet does not come off, and then turn it over.